



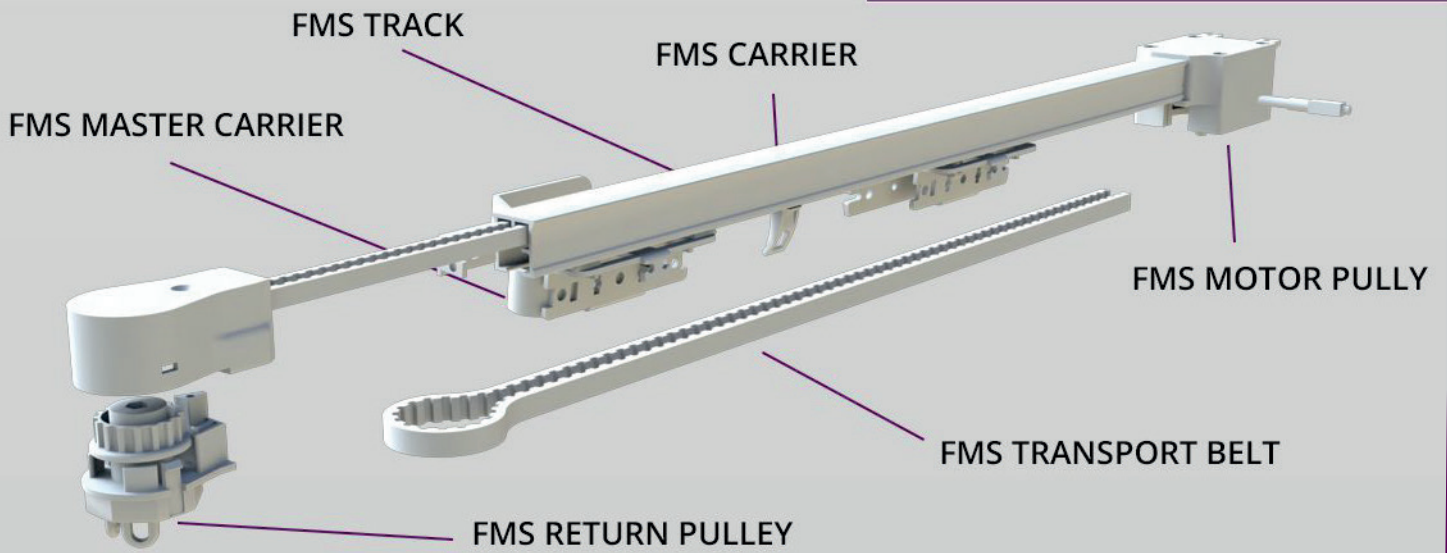
## **FMS & SHUTTLE** **Assembly and installation instructions**

Watch the instruction video  
Scan the QR code with your smartphone or tablet



THE WORLD  
BEHIND  
YOUR  
CURTAINS

**NECESSARY ITEMS**



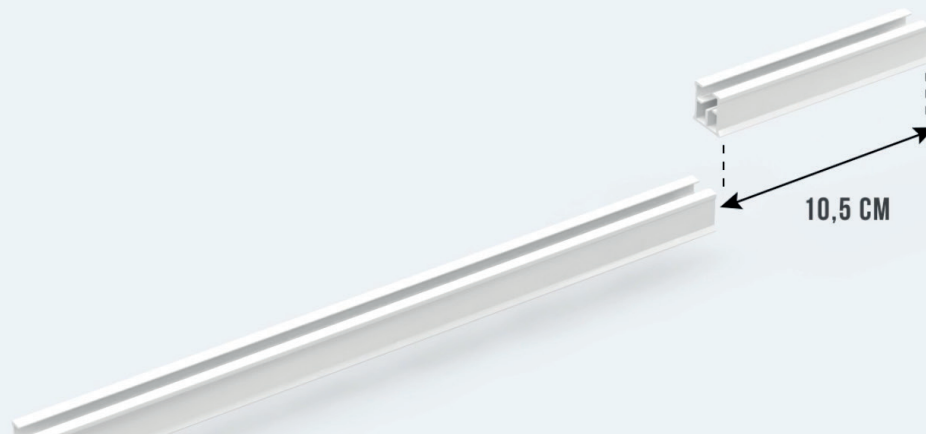
**NECESSARY TOOLS**





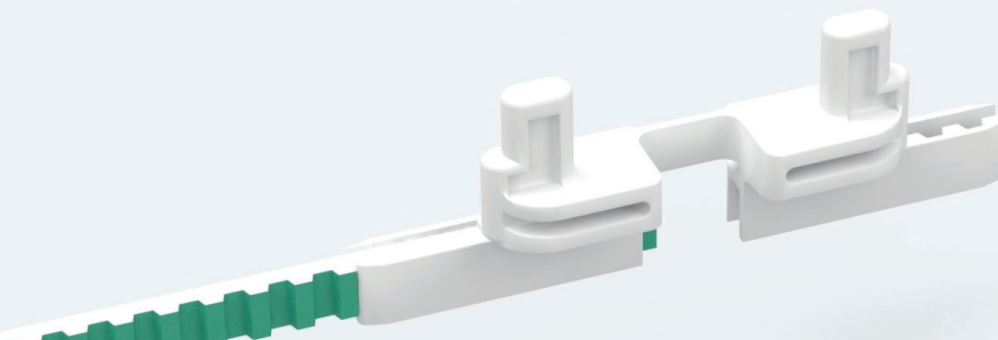
**ASSEMBLY STEP 1 - SHORTEN THE FMS TRACK**

REMOVE 10.5 CM OF THE TOTAL LENGTH REQUIRED



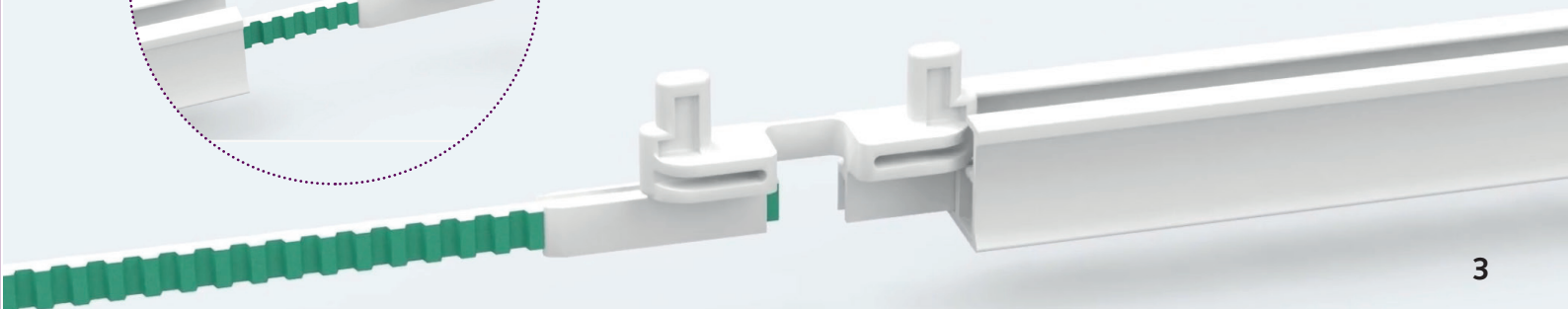
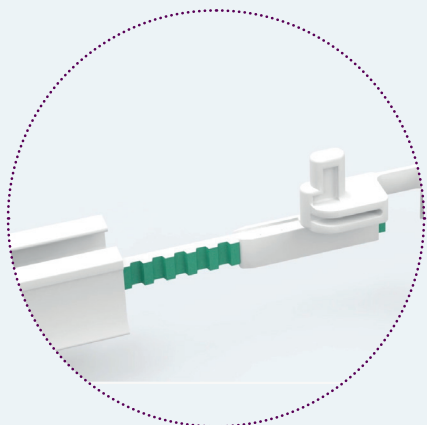
**ASSEMBLY STEP 2 - CONNECT THE BELT**

TO THE FMS BELT CONNECTOR



**ASSEMBLY STEP 3 - SLIDE THE BELT INTO THE TRACK**

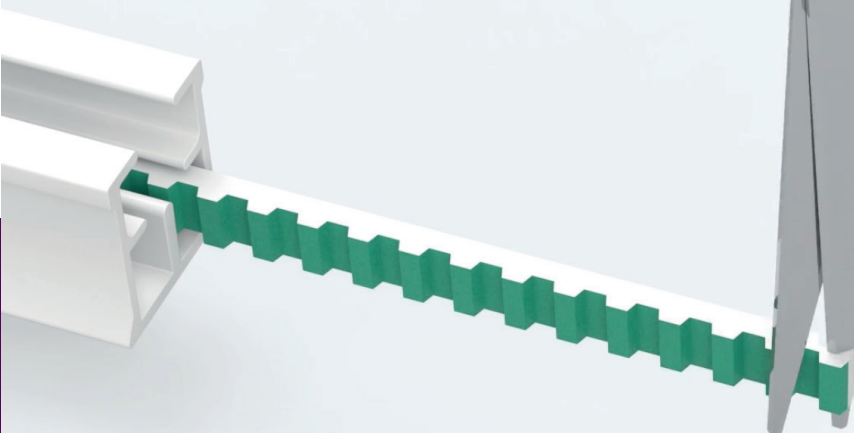
AND REMOVE THE FMS BELT CONNECTOR





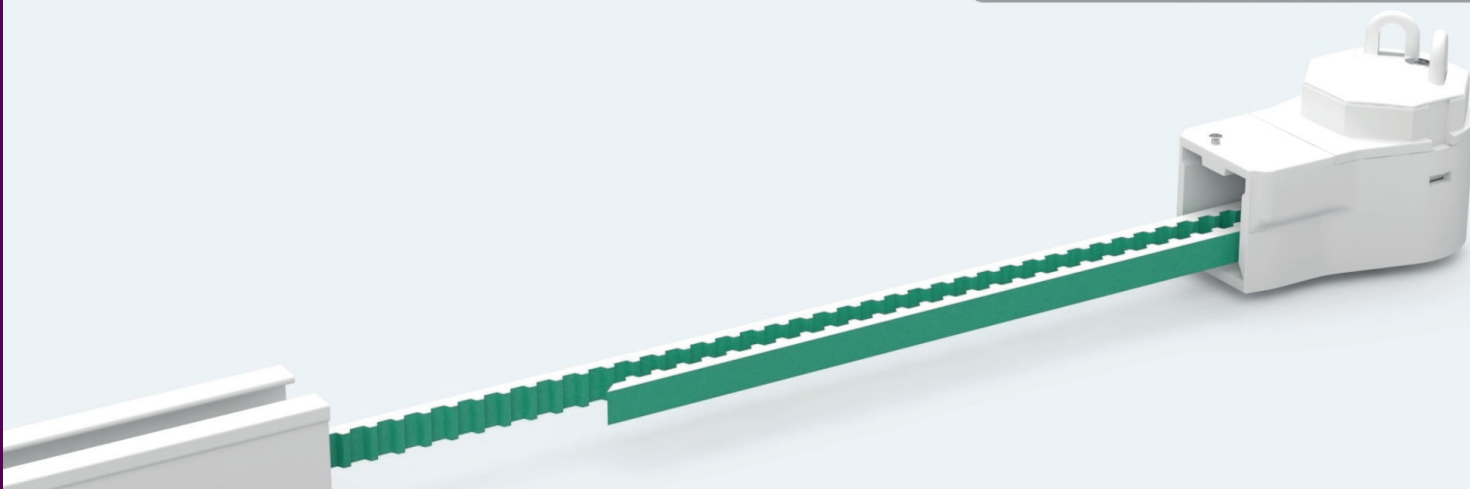
**ASSEMBLY STEP 4 - CUT THE FIRST BELT TOOTH**

CUT IT UNDER A 45° ANGLE



**ASSEMBLY STEP 5 - CONNECT THE FMS RETURN PULLEY**

BY PUSHING THE BELT THROUGH THE FMS RETURN PULLEY



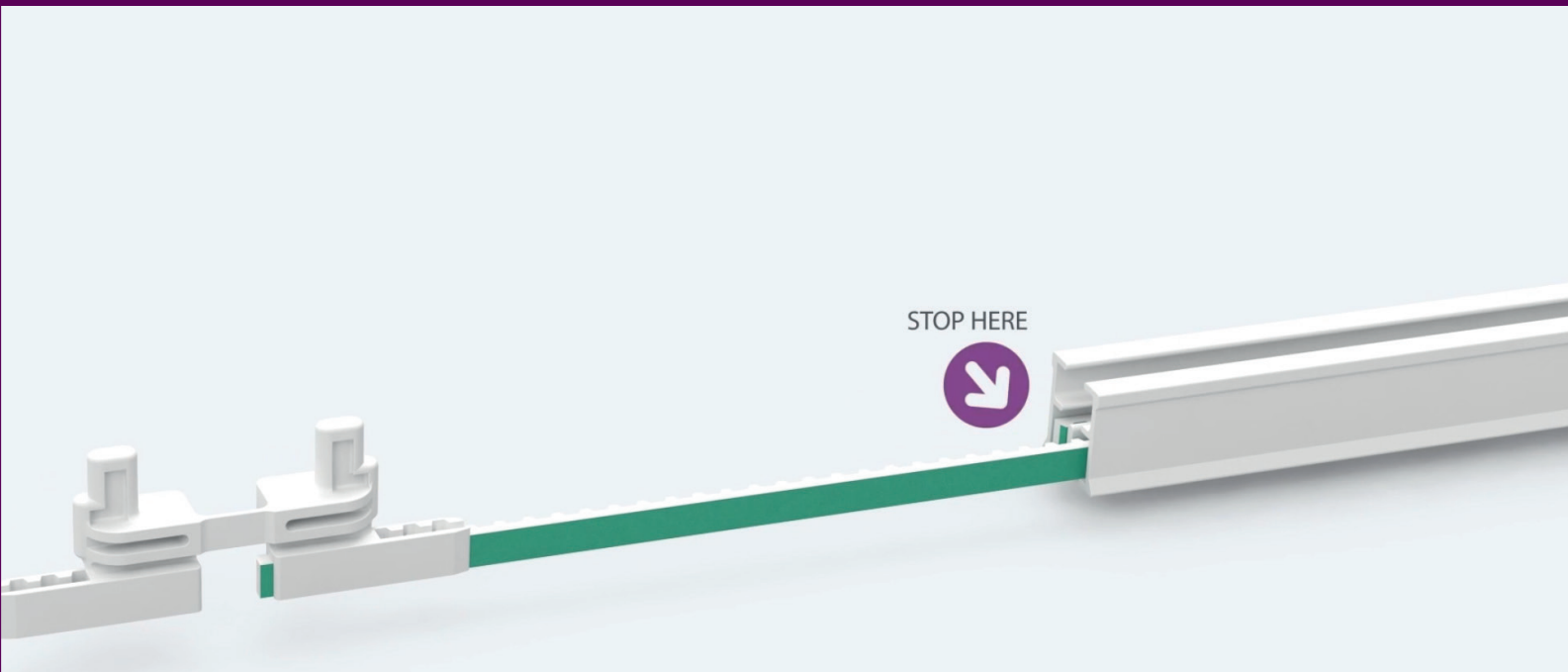
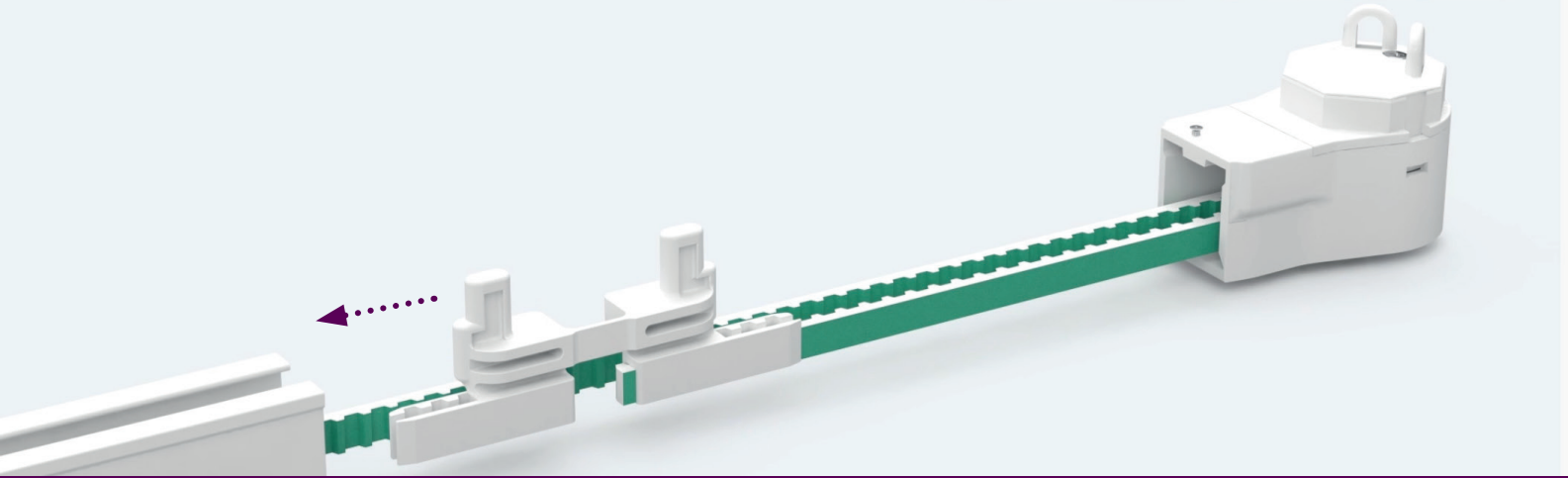
**ASSEMBLY STEP 6 - CUT THE REMAINING TOOTH**


TO FLATTEN IT OFF AGAIN



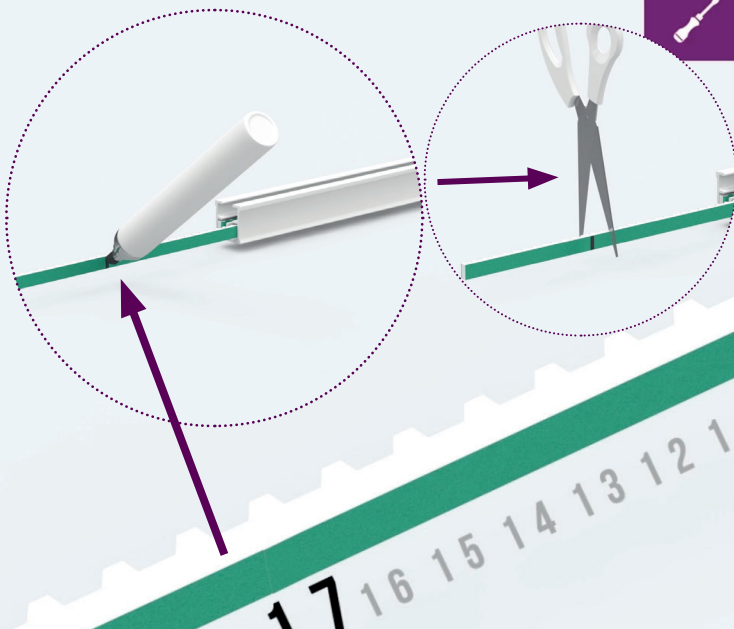
 **ASSEMBLY STEP 7 - CONNECT THE FMS BELT CONNECTOR**

AND PUT THE BELT INTO THE TRACK



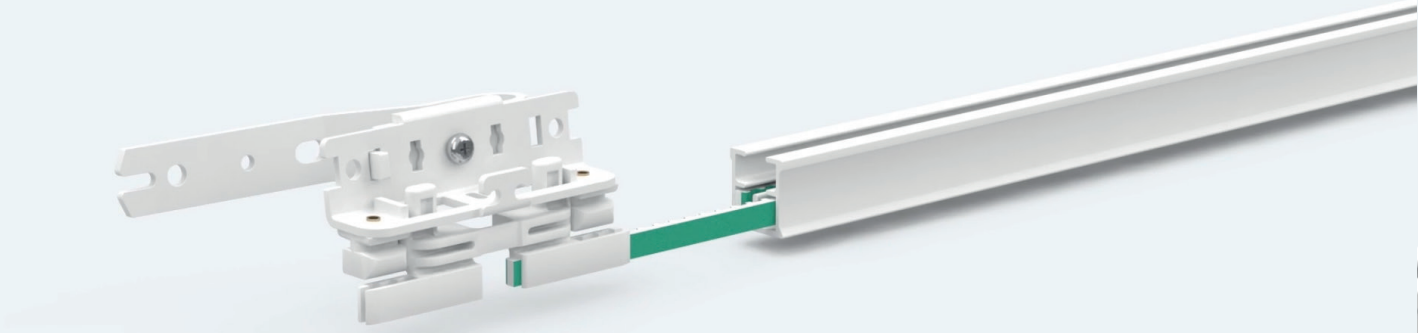
 **ASSEMBLY STEP 8 - MARK TOOTH 17**

START COUNTING 17 TEETH OF THE BELT



 **ASSEMBLY STEP 10** - CONNECT THE FMS BELT CONNECTOR

AND PLACE THE FMS MASTER CARRIER



 **ASSEMBLY STEP 11** - CONNECT THE OTHER END OF THE BELT

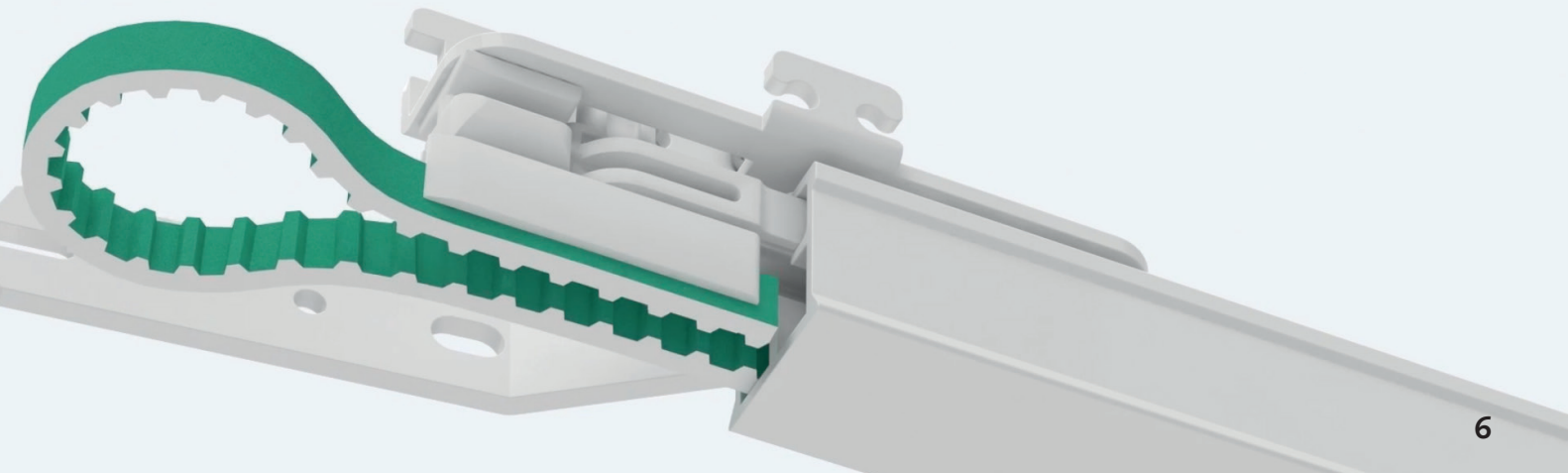
TO THE FMS BELT CONNECTOR



Shown from below the track

 **ASSEMBLY STEP 11** - CONNECT THE OTHER END OF THE BELT

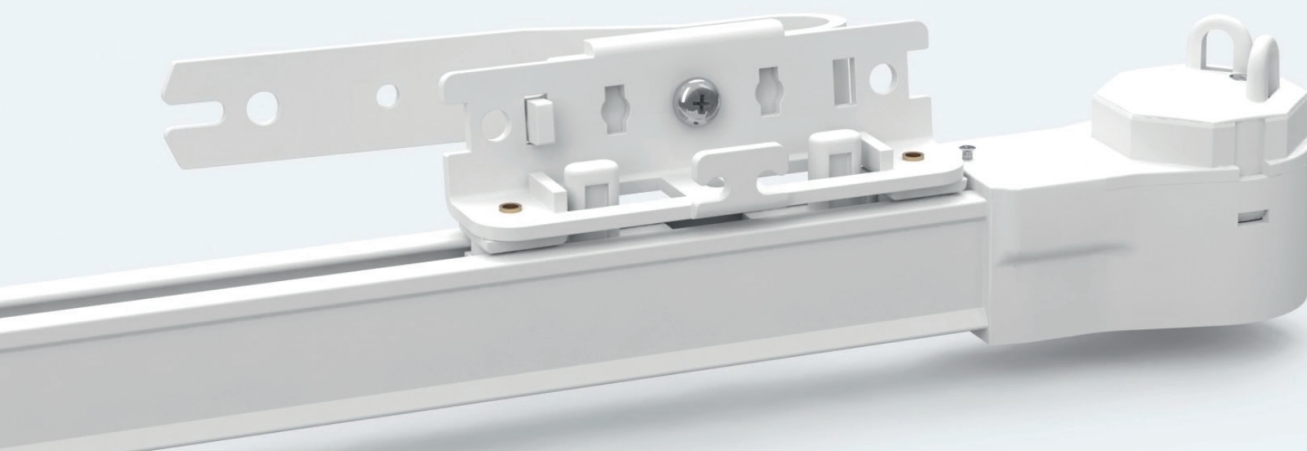
TO THE FMS BELT CONNECTOR





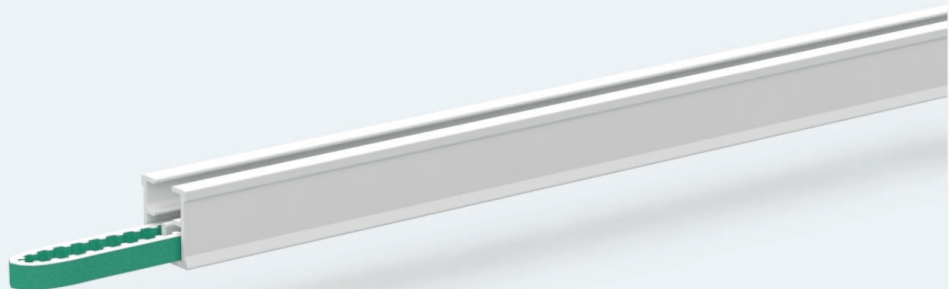
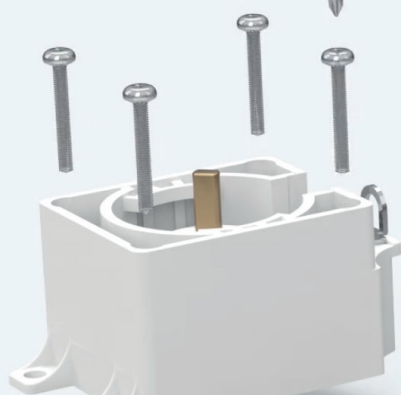
**ASSEMBLY STEP 12 - SLIDE THE FMS MASTER CARRIER**

FULLY INTO THE TRACK



**ASSEMBLY STEP 13 - OPEN THE FMS MOTOR PULLEY**

BY REMOVING THE SCREWS



**ASSEMBLY STEP 14 - POSITION THE FMS MOTOR PULLEY PIECES**

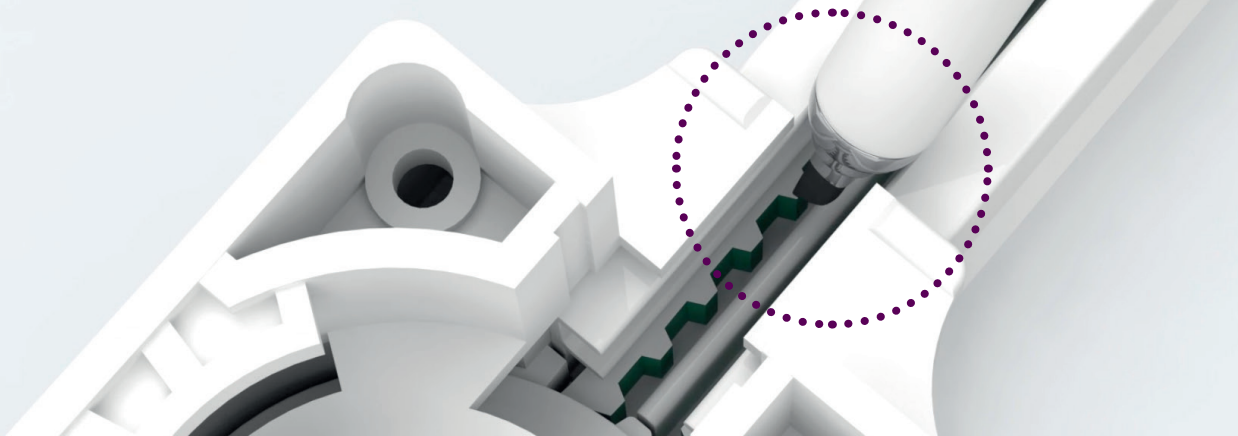
TO THE TRACK



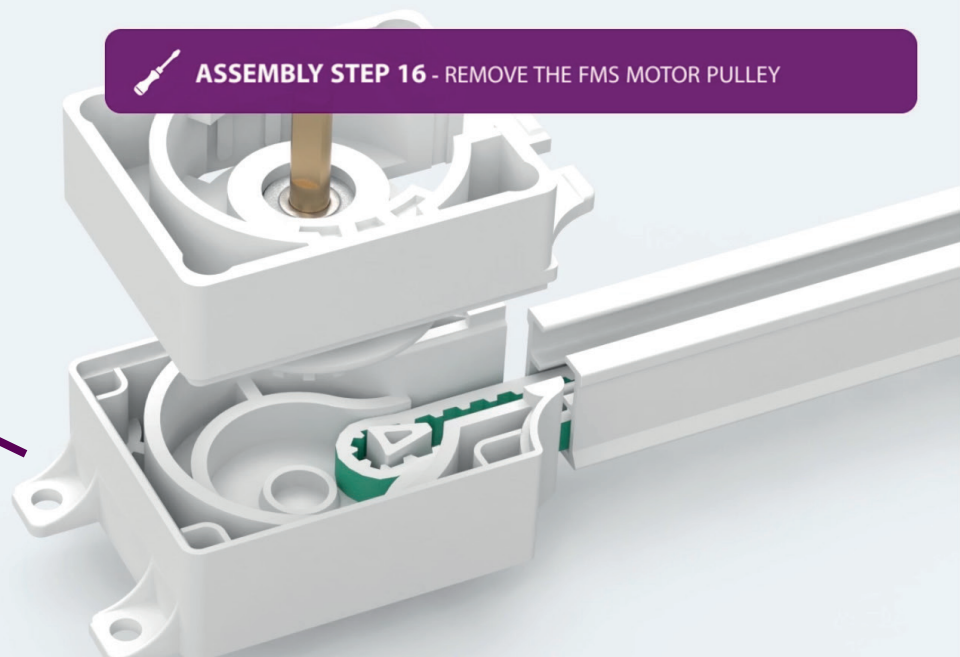
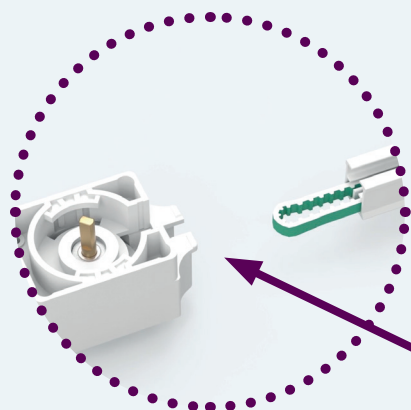


**ASSEMBLY STEP 15 - MARK THE FIRST VISIBLE TOOTH**

WHERE THE FMS MOTOR PULLEY IS ATTACHED

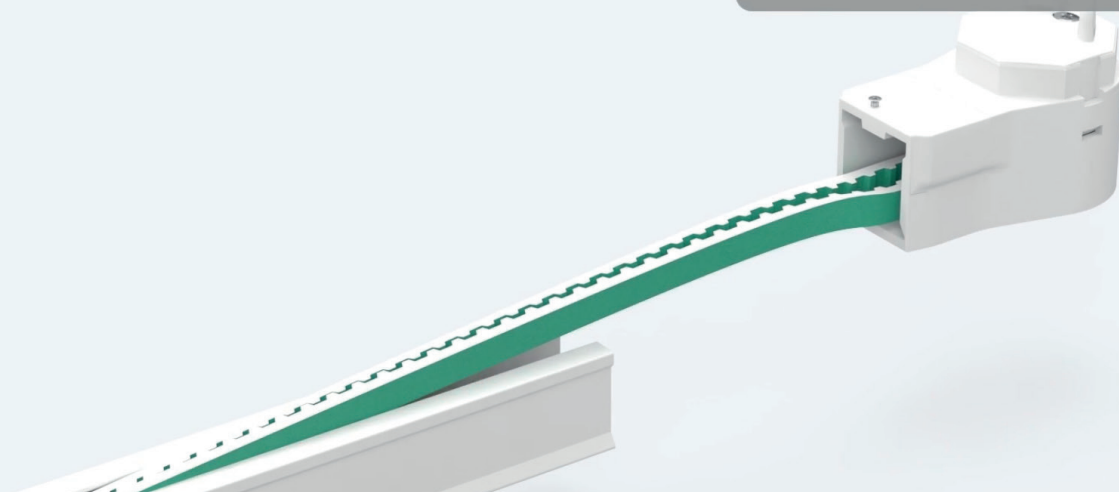


**ASSEMBLY STEP 16 - REMOVE THE FMS MOTOR PULLEY**



**ASSEMBLY STEP 17 - TAKE OFF THE RETURN PULLEY**

LIFT IT UP ONTO THE TRACK

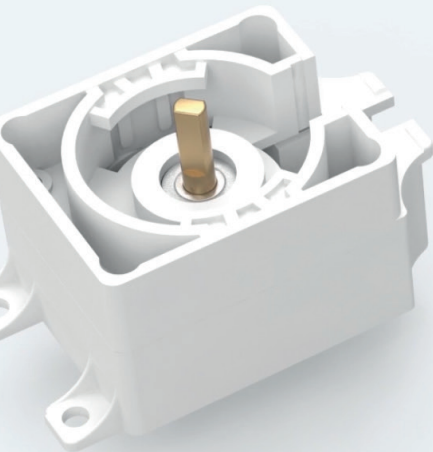






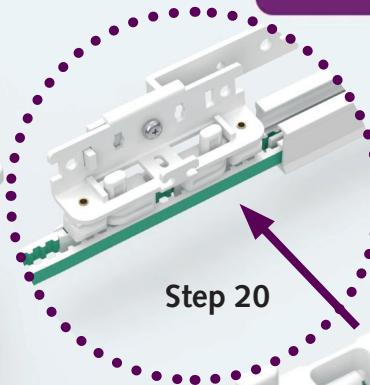
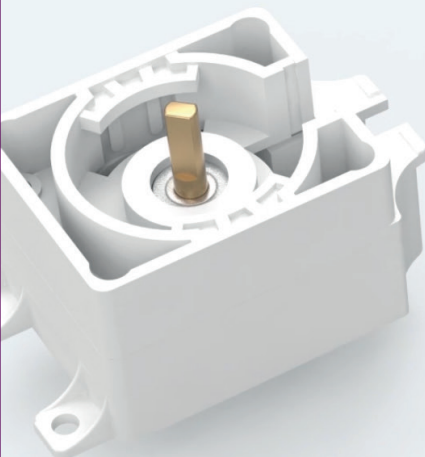
**ASSEMBLY STEP 18 - SLIDE OUT THE BELT**

UNTIL THE MARKED TOOTH BECOMES VISIBLE



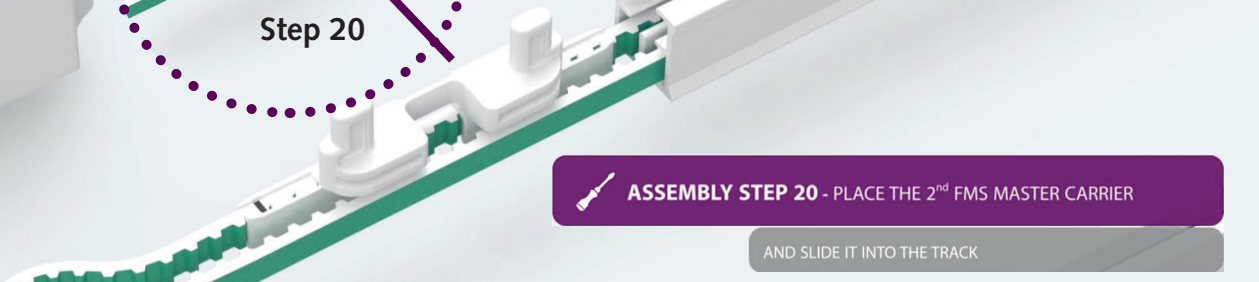
**ASSEMBLY STEP 19 - CLAMP THE FMS BELT CONNECTOR**

OVER THE FIRST TOOTH



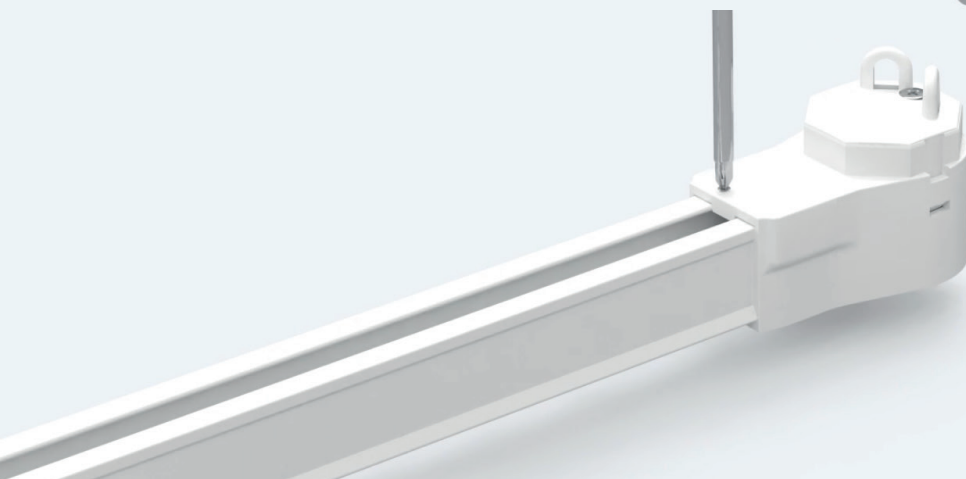
**ASSEMBLY STEP 20 - PLACE THE 2<sup>nd</sup> FMS MASTER CARRIER**

AND SLIDE IT INTO THE TRACK



**ASSEMBLY STEP 21 - REPOSITION THE END PULLEY**

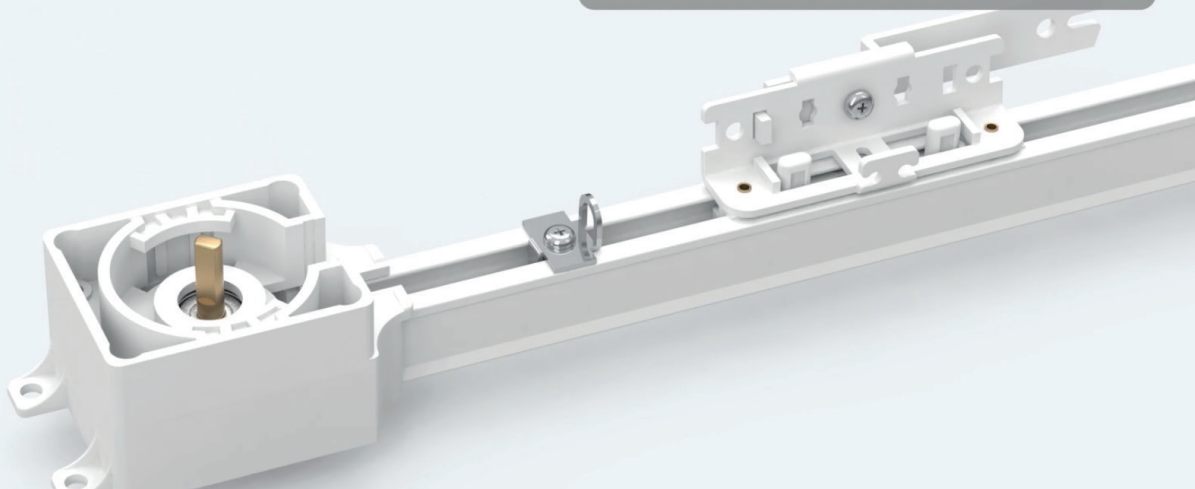
AND FASTEN THE SCREW





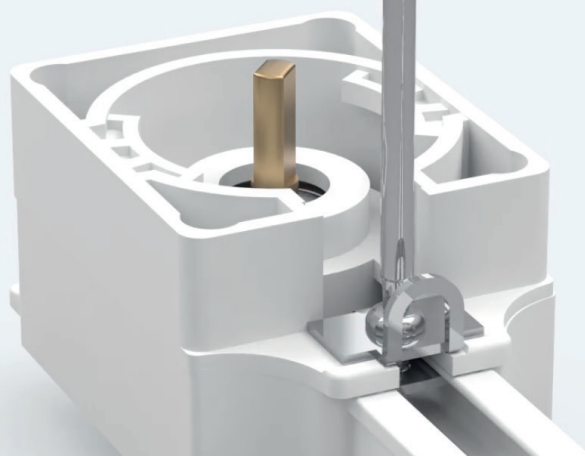
**ASSEMBLY STEP 22** - PLACE THE FMS CLIP

AND PUT THE FMS MOTOR PULLEY BACK ONTO THE TRACK

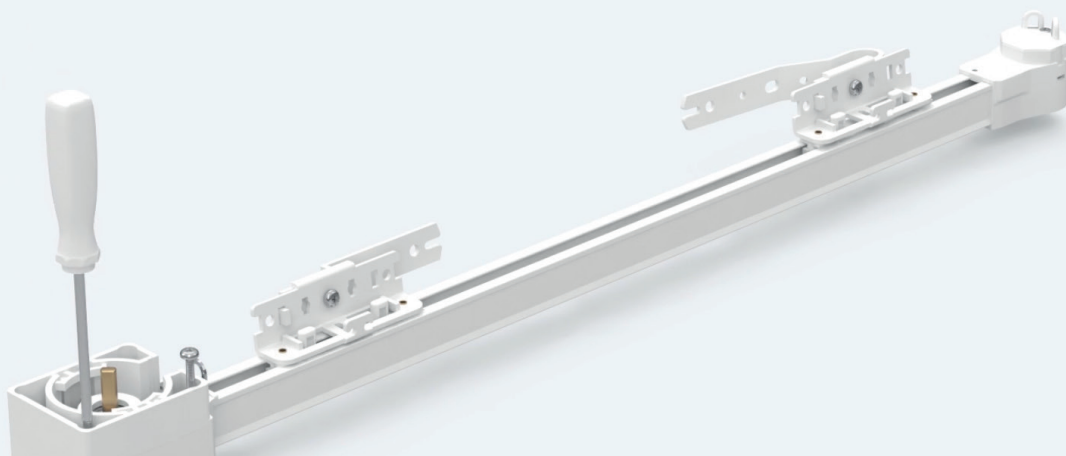


**ASSEMBLY STEP 23** - PLACE THE CLIP OVER THE MOTOR PULLEY

TO ENSURE A GOOD FIXATION

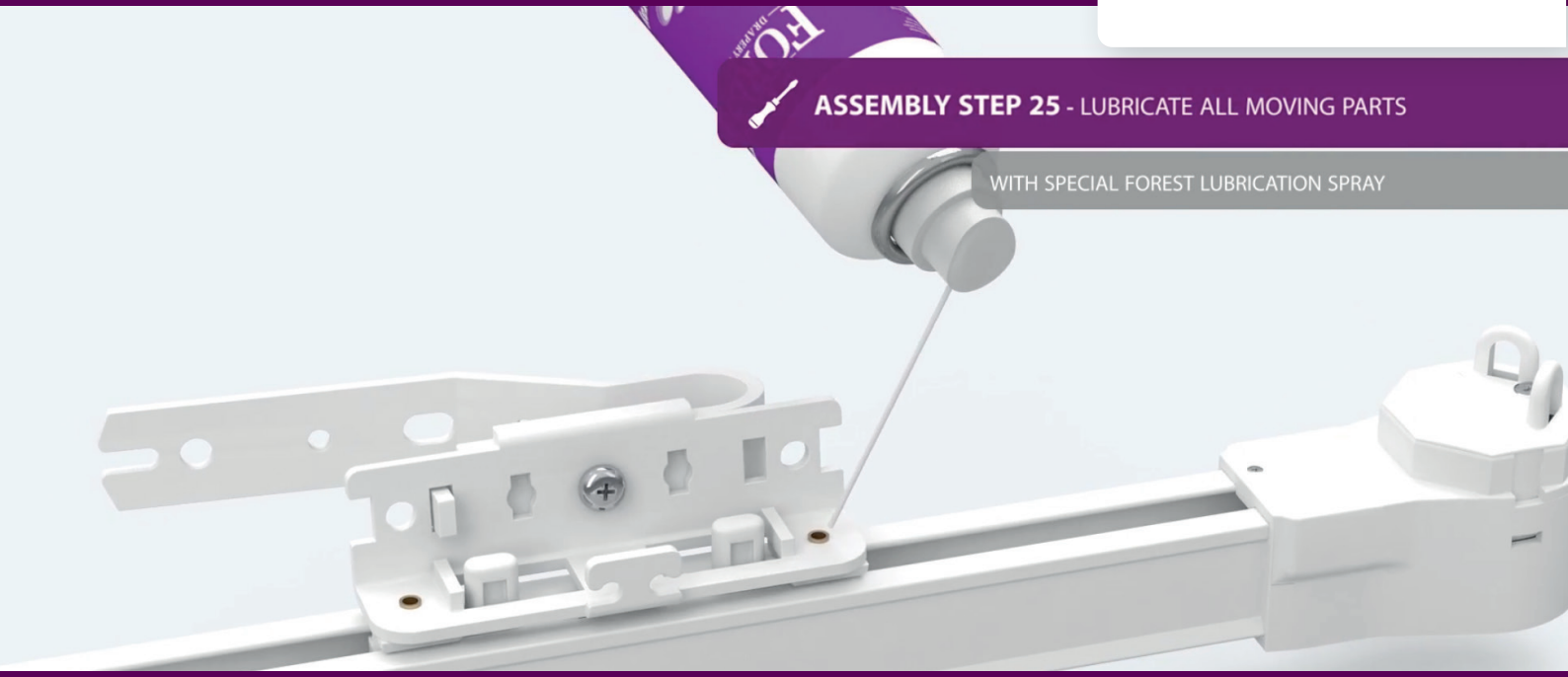


**ASSEMBLY STEP 24** - TIGHTEN ALL THE SCREWS



**ASSEMBLY STEP 25 - LUBRICATE ALL MOVING PARTS**

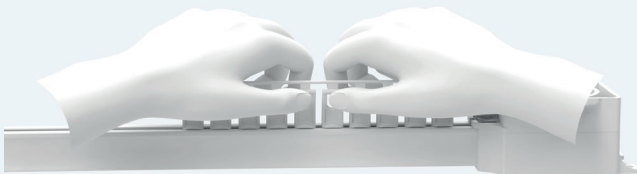
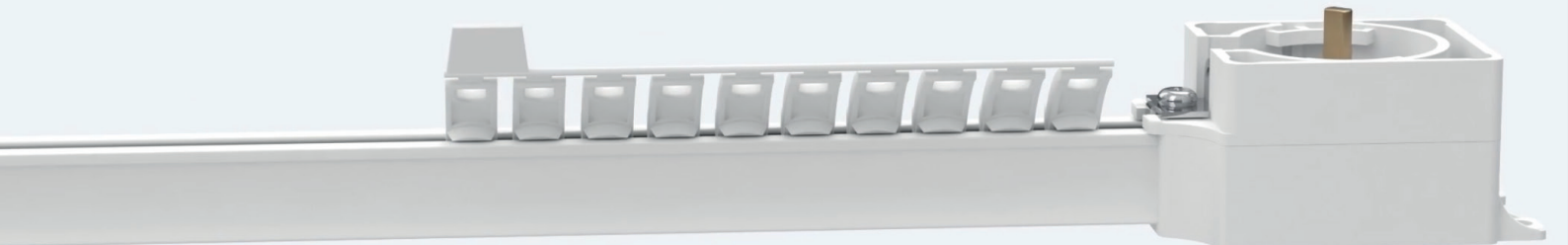
WITH SPECIAL FOREST LUBRICATION SPRAY



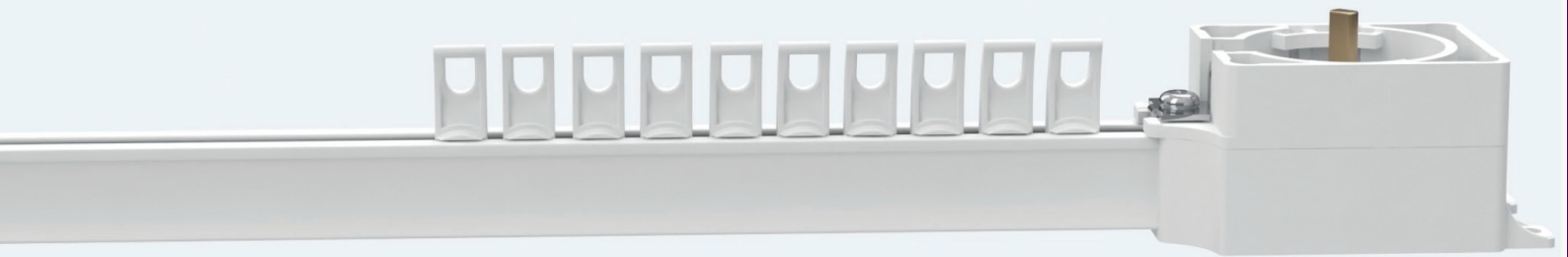
**ASSEMBLY STEP 26 - CLICK THE FMS CARRIERS**

BY USING YOUR THUMBS AND REMOVE STRIP

**!!! Slide de FMS Master Carriers to the middle. Click the FMS Carriers at the end of the FMS track.**



**!!! Click carriers into the track and remove strip**





## INSTALLATION INSTRUCTIONS

### **INSTALLATION STEP 1 - DETERMINE CORRECT**

#### POSITIONING OF THE RAIL

MOTOR LEFT  
SINGLE CURTAIN



MOTOR RIGHT  
SINGLE CURTAIN



MOTOR LEFT  
DOUBLE CURTAIN



MOTOR RIGHT  
DOUBLE CURTAIN



### **INSTALLATION STEP 2 - INSTALL THE BRACKETS**

!!! Place the 1st bracket close to the FMS Motor Pulley

KEEP 50 CM BETWEEN EACH BRACKET





**INSTALLATION STEP 3 - ATTACH THE RAIL**

START IN THE MIDDLE



**INSTALLATION STEP 3 - ATTACH THE RAIL**

START IN THE MIDDLE



**INSTALLATION STEP 4 - TIGHTEN THE SCREWS**

AND PLACE THE COVER CAPS





**INSTALLATION STEP 5 - FASTEN THE SCREWS**

OF THE MOTOR PULLEY



**INSTALLATION STEP 6 - ATTACH THE MOTOR**

AND SECURE THE LOCKING PIN



**INSTALLATION STEP 7 - CONNECT THE AC PLUG**

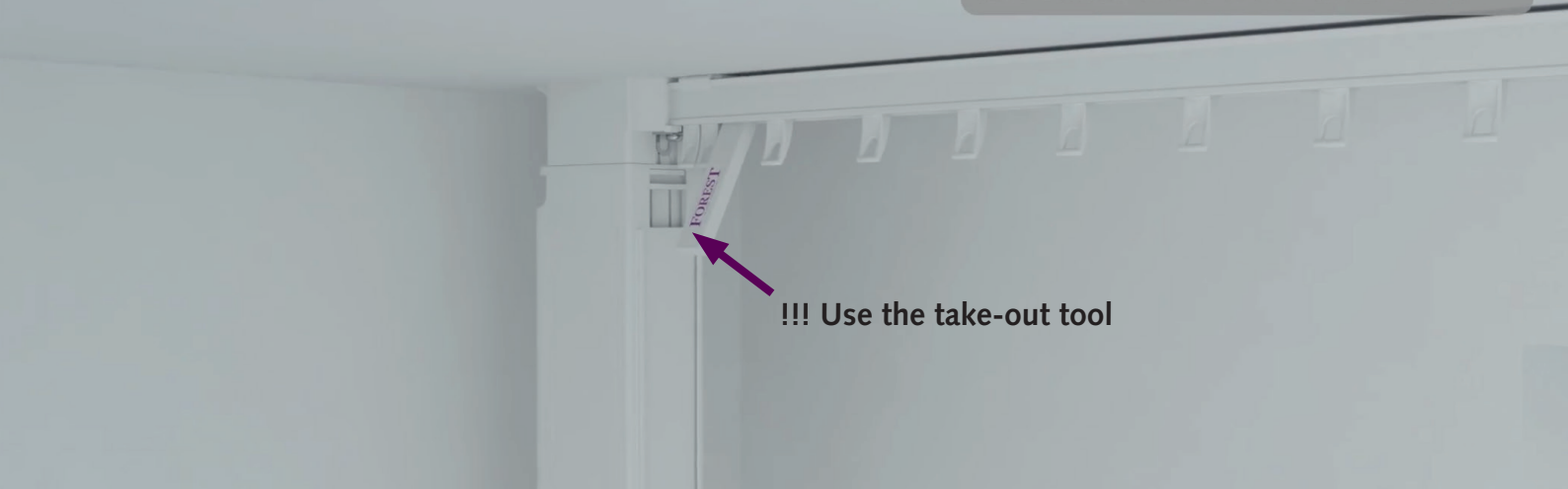
LOOP THE CORD THROUGH THE STRAIN RELIEF





**INSTALLATION STEP 8 - ATTACH THE DRAPES**

REMOVE UNUSED CARRIERS WITH THE CARRIER REMOVER



**INSTALLATION STEP 9 - CONNECT THE AC PLUG**

TO THE WALL SOCKET



**THEN CLOSE THE DRAPES TO THE CLOSED POSITION**

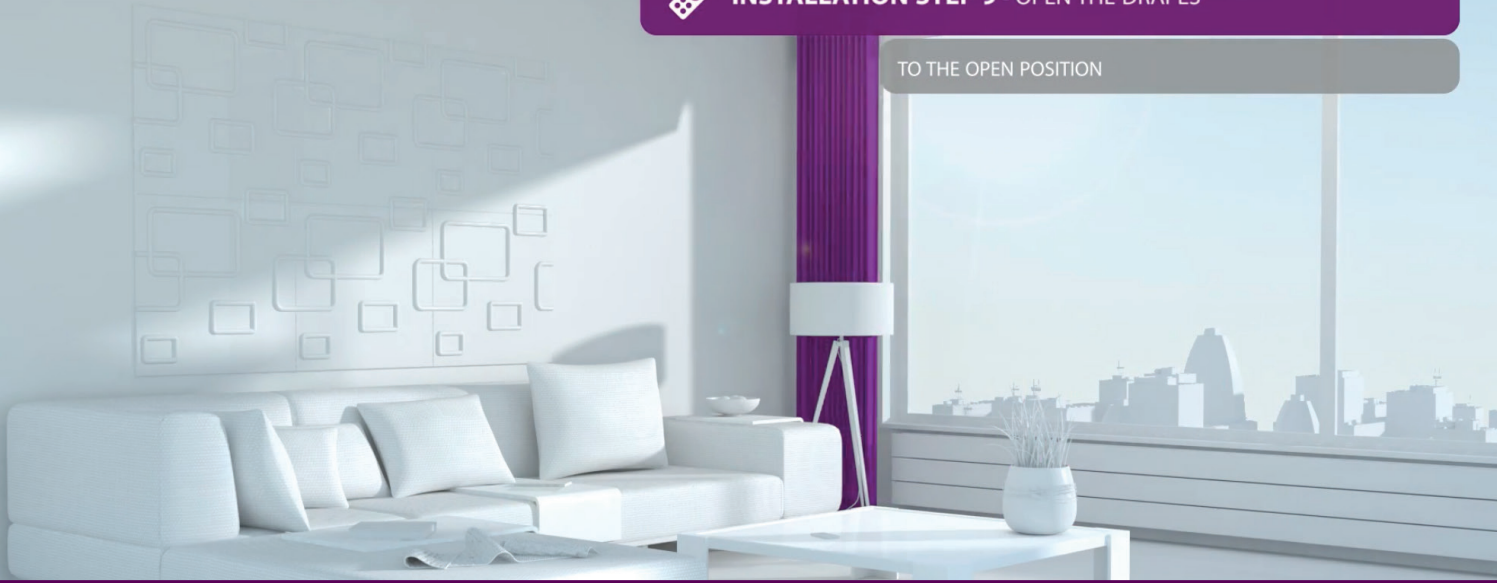
SO THE CLOSED LIMITS ARE SET





**INSTALLATION STEP 9 - OPEN THE DRAPES**

TO THE OPEN POSITION



**INSTALLATION STEP 10 - YOU HAVE 10 SECONDS**

TO MANUALLY ADJUST THE DRAPE POSITION



**1-10 sec  
yellow LED blinks**



**AFTER 10 SECONDS THE YELLOW LED GOES OFF**

AND OPEN LIMITS ARE SET







**INSTALLATION STEP 11 - CONNECT THE REMOTE**

BY FIRST SELECTING THE DESIRED CHANNEL

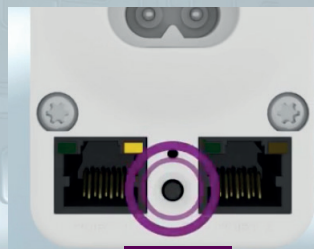


**INSTALLATION STEP 12 - ON THE SHUTTLE MOTOR**

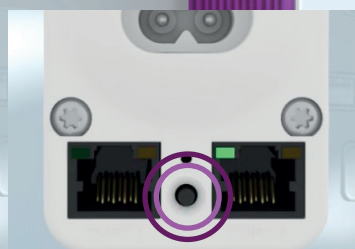
PRESS THE CONFIGURATION BUTTON 3 TIMES (USE A PEN)



1



2



3

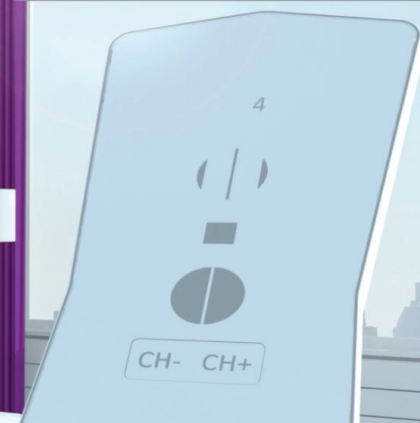
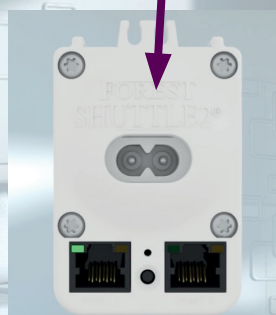


**INSTALLATION STEP 13 - KEEP THE BUTTON PRESSED**

FOR 5 SECONDS UNTILL THE GREEN LED STARTS BLINKING



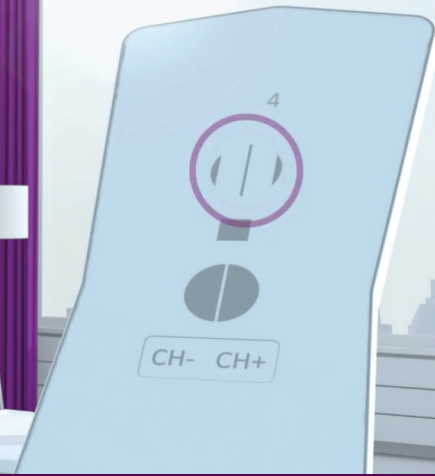
After 5 sec  
green LED starts  
blinking





**INSTALLATION STEP 14 - PRESS THE OPEN BUTTON ON THE REMOTE**

WITHIN 10 SECONDS TO FINALIZE THE CONNECTING PROCEDURE



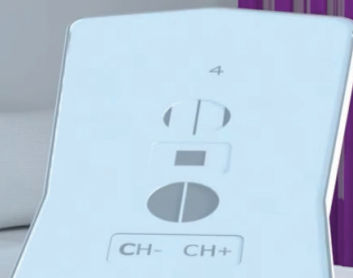
**YOU CAN OPEN THE DRAPES BY HAND**



Want to control the curtains by the Forest Connect App? Use the additional WiFi-Dongle and look for the WiFi-Dongle manual for installation.



**OR BY USING THE REMOTE**



# FOREST<sup>®</sup>

DRAPERY HARDWARE

[www.forestgroup.com](http://www.forestgroup.com)